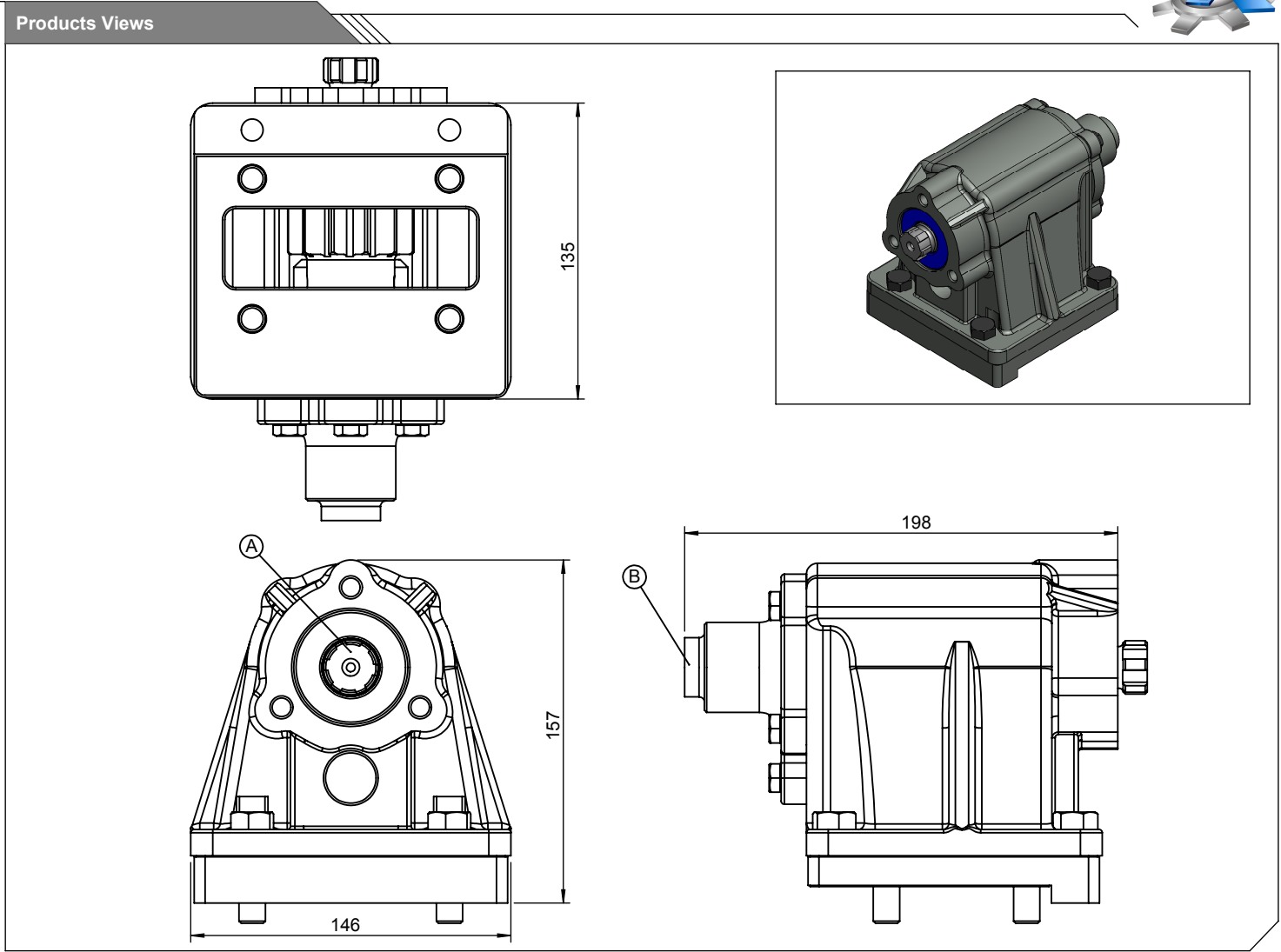


Vehicle Type	JAC 1063 / BMC 415 / DONGFENG / FOTON BJ 1069 / NPR NQR MK 1800CS ISUZU / NISSAN
Gearbox Type	LC 6T 46 (6,314) / MHS 61 A

Product Code	JAC.02.6T46.KF
---------------------	-----------------------



Component Details

<p>A : PTO Output (Standard DIN 5463 6X21X25 UNI 3 Bolt) Direct mounting ISO 4 bolt mtg. adapter Drive flange B : Pneumatic Control</p>	
---	--

Technical Details

Power	Maximum Torque		Input/Output	Mounting Side	Control Type
	kW	Nm			
21	196	20	1/1.75	Left Side	Pneumatic
				Weight	Sense of Rotation
				11 kg	Same as Input